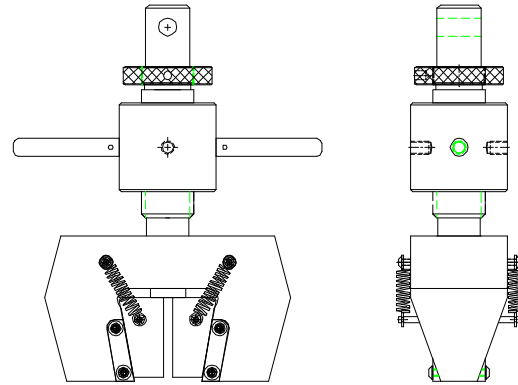
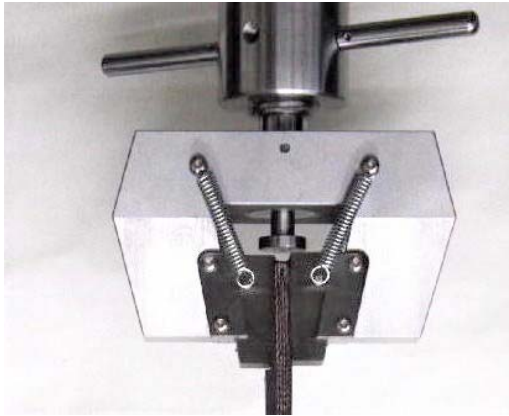


## TITAN SERIES WEDGE ACTION GRIPS FOR SPECIMENS UP TO 1" WIDE OR 3/4" ROUND



<u>Model No.</u>	<u>Specimen Size or Difference Between Fixtures</u>	<u>Construction</u>	<u>Temperature</u>
TITAN.10.1	10,000 lbs capacity	High strength steel with finish	-120 to 250°F (-85 to 122°C)
ASTM.A0931.10	10,000 lbs capacity	High strength steel with finish	-120 to 250°F (-85 to 122°C)
ASTM.D1876.10	10,000 lbs capacity	High strength steel with finish	-120 to 250°F (-85 to 122°C)
ASTM.D3950.30	10,000 lbs capacity	High strength steel with finish	-120 to 250°F (-85 to 122°C)
TITAN.20.1	20,000 lbs capacity	High strength steel with finish	-120 to 250°F (-85 to 122°C)
ASTM.A0931.12	20,000 lbs capacity	High strength steel with finish	-120 to 250°F (-85 to 122°C)
TITAN.30.1	30,000 lbs capacity	High strength steel with finish	-120 to 250°F (-85 to 122°C)
ASTM.A0931.13	30,000 lbs capacity	High strength steel with finish	-120 to 250°F (-85 to 122°C)

Specimen: Width Up to 1" wide or 0.75" round  
Thickness Up to 1"

Fixture: Mounting (2) 1.25" male clevis adapters  
Weight 43 lbs approximately  
Dimensions 9" x 9" x 22"

## **QUOTE**

Model No. TITAN.10.1 - 10,000 Pound Wedge Action Grips

Grips that will accept replaceable grip faces for different size specimens up to 0.8" thick by 1" wide or 0.75" round. The wedge action allows the grip faces to create a positive lock on the specimen. The initial clamping force is created by rotating the clamping collar with or without the handles. The grip faces are held in place with a retaining plate and spring. Supplied with (2) 1.25" male clevis adapters and locking nuts. Constructed of high strength steel with a protective chrome finish. Includes a set of four, 1" wide flat grip faces.

Model No. TITAN.20.1 - TITAN Series 20,000 lbs Wedge Action Grips

Grips will accept replaceable grip faces for different size specimens up to 0.8" thick by 1" wide or 0.75" round. The initial clamping force is created by rotating the clamping collar with or without the handles. The grip faces are held in place with a retaining plate and spring. Supplied with (2) 1.25" male clevis adapters. Constructed of high strength steel with a protective plated finish. Grip faces sold separately.

Model No. TITAN.30.1 - TITAN Series 30,000 lbs Wedge Action Grips

Grips will accept replaceable grip faces for different size specimens up to 0.8" thick by 1" wide or 0.75" round. The initial clamping force is created by rotating the clamping collar with or without the handles. The grip faces are held in place with a retaining plate and spring. Supplied with (2) 1.25" male clevis adapters. Constructed of high strength steel with a protective plated finish. Grip faces sold separately.

## **ACCESSORIES**

Model No. ACC.T1018 - Set of (4), 1" wide flat grip faces for 0" to 0.2" specimens - Diamond

Model No. ACC.T1118 - Set of (4), 1" wide flat grip faces for 0.2" to 0.4" specimens - Diamond

Model No. ACC.T1218 - Set of (4), 1" wide flat grip faces for 0.4" to 0.6" specimens - Diamond

Model No. ACC.T1318 - Set of (4), 1" wide flat grip faces for 0.6" to 0.8" specimens - Diamond

Model No. ACC.TR1206 - Set of (4), 1" wide vee groove grip faces for 0.2" to 0.4" round - Serrated

Model No. ACC.TR1406 - Set of (4), 1" wide vee groove grip faces for 0.4" to 0.6" round - Serrated

Model No. ACC.TR1606 - Set of (4), 1" wide vee groove grip faces for 0.6" to 0.8" round - Serrated

## **SPARE PARTS**

Model No. SPA.T0010 - Extra Set of (2) Handles for Clamping Collar

Model No. SPA.T1011 - Replacement Set of (4) Pins for Holding 1" Wide Grip Faces

Model No. SPA.T0011 - Replacement TITAN.10 Grip Body Locking Pin

Model No. SPA.T0012 - Replacement TITAN.20 Grip Body Locking Pin

Model No. SPA.T0013 - Replacement TITAN.30 Grip Body Locking Pin

## **COMMON SIZE ADAPTERS**

### **Upper and Lower Mounting: 1.25" Male Clevis**

Model No. M03S60 - 1.25" Male Clevis to 2"-12 Threaded Stud

Model No. M03S48 - 1.25" Male Clevis to 1.5"-12 Threaded Stud

Model No. M03S42 - 1.25" Male Clevis to 1.25"-12 Threaded Stud

Model No. M03S36 - 1.25" Male Clevis to 1"-14 Threaded Stud