

Standards:

ASTM D143 - 00
ASTM D905 - 03
ASTM D2559 - 04
ASTM D3931 - 99
ASTM D4502 - 04
ASTM D5751 - 99
ASTM F521 - 04

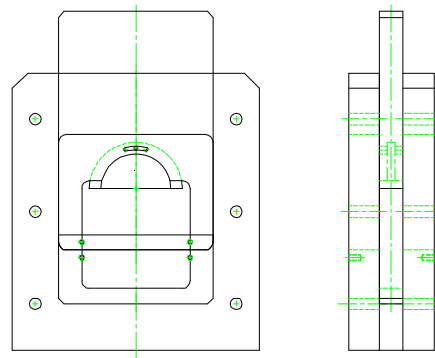
Material Type:

WOOD, ADHESIVE

Type of Testing:

SHEAR, COMPRESSION

SHEAR PARALLEL TO GRAIN



Model No.

Specimen Size or Difference Between Fixtures

ASTM.D0143.70	Up to 2" wide x 2.5" thick x 2" long
ASTM.D0905.10	2" wide x 1.5" thick x 2" wide
ASTM.D2559.10	2" wide x 1.5" thick x 2" wide
ASTM.D3931.10	2" wide x 1.5" thick x 2" wide
ASTM.D4502.10	1.25" wide x 5/16" thick x 1.25" long
ASTM.D5751.10	Up to 2" wide x 2.5" thick x 2" long
ASTM.F0521.12	2" wide x 3" long
ASTM.F0521.13	2" wide x 3" long

Construction

High strength steel
High strength steel
High strength steel
High strength steel
High strength steel
High strength steel
High strength steel
High strength steel

Temperature

-120 to 250°F (-85 to 122°C)
-120 to 250°F (-85 to 122°C)
-120 to 250°F (-85 to 122°C)
-120 to 250°F (-85 to 122°C)
-120 to 250°F (-85 to 122°C)
-120 to 250°F (-85 to 122°C)
-120 to 250°F (-85 to 122°C)
-120 to 250°F (-85 to 122°C)

Fixture	Mounting	1/2"-20 couplings or platen to platen (platens not included)
	Capacity	15,000 lbs (66.7kN)
	Weight	20 lbs approximately
	Dimensions	Assembled - 3" x 8" x 10"
	Standard	Manufactured in compliance with ASTM D143, D905, D2559, D3931, D4502, D5751 and F521

QUOTE

Model No. ASTM.D0143.70 - Shear Parallel to Grain

Fixture can handle specimens up to 2" wide by 2" long by 2.5" thick. The loading anvil has a self-alignment seat that allows uniform lateral distribution of load. A 1/2"-20 threaded coupling supplied in loading plate or can be used platen to platen (platens not included). The compression loading fixture that applies a shear load to a bonded wooden sample has a 15,000 lbs capacity. The fixture is constructed of high strength steel. Manufactured in compliance with ASTM D143, D905, D2559, D3931 and D5751.

ACCESSORIES

No accessories available for this fixture

SPARE PARTS

Please contact us for spare or replacement parts

COMMON SIZE ADAPTERS

Upper Mounting: 1/2"-20 Threaded Coupling

Model No. M01S21 - 1/2" Male Clevis to 1/2"-20 Threaded Stud
Model No. M02S21 - 5/8" Male Clevis to 1/2"-20 Threaded Stud
Model No. M03S21 - 1.25" Male Clevis to 1/2"-20 Threaded Stud
Model No. M12S21 - 12mm Male Clevis to 1/2"-20 Threaded Stud
Model No. S36S21 - 1"-14 to 1/2"-20 Threaded Step Stud
Model No. LN21 - 1/2"-20 Threaded Locking Nut with Knurled OD

Lower Mounting: Platens

Model No. PLAT.RF061.10 - 6" Diameter Fixed Compression Platen
Model No. PLAT.RA061.10 - 6" Diameter Articulating Compression Platen
Model No. PLAT.SF061.10 - 6" Square Fixed Compression Platen
Model No. PLAT.SA061.10 - 6" Square Articulating Compression Platen