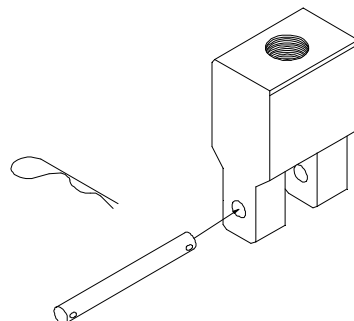


## COMPACT TENSION CLEVIS GRIP SETS - INCONEL 718 STEEL



Specimen:	Width	0.4" to 4"
	Length	Any
	Thickness	0.4" - 8"
Fixture:	Construction	High strength Inconel 718 Steel
	Temperature	Up to 1800°F
	Mounting	Threaded couplings
	Capacity	Varies
	Weight	10 lbs approximately
	Dimensions	Assembled 2" x 2" x 6"
	Standard	Manufactured in accordance with ASTM E1922

### Model No. ASTM.E1922.4X - Inconel 718 Compact Tension Loading Clevis Set

Precision machined compact tension loading clevis set of (2) with loading pins and retaining hairpins. Each clevis is supplied with a female thread for attachment with a fatigue rated loading stud. Each clevis is constructed of high temperature Inconel 718 steel in accordance with ASTM E1922. (See part numbers in Spare Parts Section.)

# **MODEL NO. ASTM.E1922.4X**

## **ASTM, TRANSLMINAR, FRACTURE, TOUGHNESS,**

### **ACCESSORIES**

**Upper and lower fixture attachment is supplied with 1" -14 female coupling. (Common adapter sizes include:)**

Model No. M03S30 - 1.25" Male Clevis (Type D) to 3/4" -10 Threaded Stud

Model No. S42S30 - 1.25" -12 to 3/4" -10 Threaded Step Stud

Model No. S48S36 - 1.5" -12 to 3/4" -10 Threaded Step Stud

Model No. S60S30 - 2" -12 to 3/4" -10 Threaded Step Stud

Model No. LN30 - 3/4" -10 Threaded Locking Nut with Knurled OD

**Upper and lower fixture attachment is supplied with 1" -14 female coupling. (Common adapter sizes include:)**

Model No. M03S34 - 1.25" Male Clevis (Type D) to 1" -8 Threaded Stud

Model No. S42S34 - 1.25" -12 to 1" -8 Threaded Step Stud

Model No. S48S34 - 1.5" -12 to 1" -8 Threaded Step Stud

Model No. S60S34 - 2" -12 to 1" -8 Threaded Step Stud

Model No. LN34 - 1" -8 Threaded Locking Nut with Knurled OD

### **SPARE PARTS**

ASTM.E1922.41 - b = 0.4", w = 0.8", pin = 0.192"

ASTM.E1922.42 - b = 0.5", w = 1.0", pin = 0.240"

ASTM.E1922.43 - b = 0.6", w = 1.2", pin = 0.288"

ASTM.E1922.44 - b = 0.75", w = 1.5", pin = 0.360"

ASTM.E1922.45 - b = 0.8", w = 1.6", pin = 0.384"

ASTM.E1922.46 - b = 1.0", w = 2.0", pin = 0.480"

ASTM.E1922.47 - b = 1.25", w = 2.5", pin = 0.600"

ASTM.E1922.48 - b = 1.5", w = 3.0", pin = 0.720"

ASTM.E1922.49 - b = 1.75", w = 3.5", pin = 0.840"

ASTM.E1922.49S - b = 1.875", w = 3.75", pin = 0.900"

ASTM.E1922.60 - b = 2.0", w = 4.0", pin = 0.960"

ASTM.E1922.61 - b = 2.25", w = 4.5", pin = 1.080"

ASTM.E1922.62 - b = 2.5", w = 5.0", pin = 1.200"

ASTM.E1922.63 - b = 3.0", w = 6.0", pin = 1.440"

ASTM.E1922.64 - b = 3.5", w = 7.0", pin = 1.680"

ASTM.E1922.65 - b = 4.0", w = 8.0", pin = 1.920"

### **REFERENCE DOCUMENT AND TEST METHOD SCOPE:**

<http://www.astm.org/Standards/E1922.htm>

ASTM E1922 - 04(2015)

Standard Test Method for Translaminar Fracture Toughness of Laminated and Pultruded Polymer Matrix Composite Materials

1.1 This test method covers the determination of translaminar fracture toughness, KTL, for laminated and pultruded polymer matrix composite materials of various ply orientations using test results from monotonically loaded notched specimens.

1.2 This test method is applicable to room temperature laboratory air environments.

1.3 Composite materials that can be tested by this test method are not limited by thickness or by type of polymer matrix or fiber, provided that the specimen sizes and the test results meet the requirements of this test method. This test method was developed primarily from test results of various carbon fiber – epoxy matrix laminates and from additional results of glass fiber – epoxy matrix, glass fiber-polyester matrix pultrusions and carbon fiber – bismaleimide matrix laminates (1-4, 5, 6),2

1.4 A range of eccentrically loaded, single-edge-notch tension, ESE(T), specimen sizes with proportional planar dimensions is provided, but planar size may be variable and adjusted, with associated changes in the applied test load. Specimen thickness is a variable, independent of planar size.

1.5 Specimen configurations other than those contained in this test method may be used, provided that stress intensity calibrations are available and that the test results meet the requirements of this test method. It is particularly important that the requirements discussed in 5.1 and 5.4 regarding contained notch-tip damage be met when using alternative specimen configurations.

1.6 The values stated in SI units are to be regarded as standard. No other units of measurement are included in this standard.

1.7 This standard does not purport to address all of the safety concerns, if any, associated with its use. It is the responsibility of the user of this standard to establish appropriate safety and health practices and to determine the applicability of regulatory limitations prior to use.

Extracted, with permission, ASTM E1922 Standard Test Method for Translaminar Fracture Toughness of Laminated and Pultruded Polymer Matrix Composite Materials copyright ASTM International, 100 Barr Harbor Drive, West Conshohocken, PA 19428. A copy of the complete standard may be purchased from ASTM International, [www.astm.org](http://www.astm.org).

*Material Testing Technology*