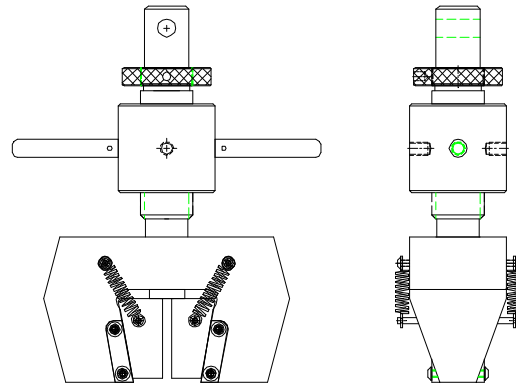
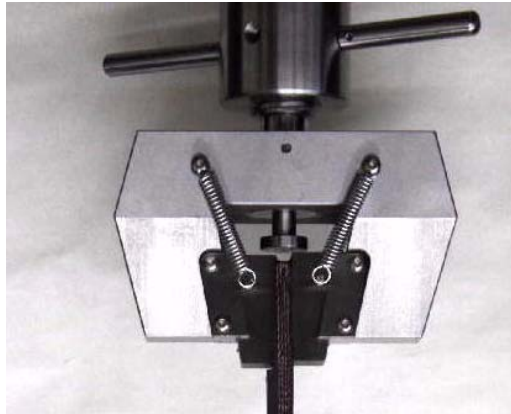


## **20,000 LBS WEDGE ACTION GRIPS FOR SPECIMENS UP TO 2" WIDE OR 3/4" ROUND (GRIP FACES SOLD SEPARATELY)**



Specimen:            Width            Up to 2" wide or 0.75" round  
                         Thickness        Up to 0.8" thick or 0.75" round

Fixture:             Construction    High strength steel with protective finish  
                         Temperature    -120 to 250°F (-85 to 122°C)  
                         Mounting        (2) 1.25" male clevis adapters  
                         Capacity        20,000 lbs  
                         Weight          50 lbs approximately  
                         Dimensions    9" x 9" x 22"  
                         Standard        Manufactured in accordance with ASTM A370, D3039, D5766, D6742, D7205, E8

### Model No. ASTM.D5766.15 - TITAN Series 20,000 lbs Wedge Action Grips

Grips will accept replaceable grip faces for different size specimens up to .8" thick by 2" wide or 0.75" round. The initial clamping force is created by rotating the clamping collar with or without the handles. The grip faces are held in place with a retaining plate and spring. Supplied with (2) 1.25" (Type D) male clevis adapters to fit your test machine. Constructed of high strength steel with a protective chrome finish in accordance with ASTM A370, D3039, D5766, D6742, D7205, E8. (Grip faces sold separately).

# **MODEL NO. ASTM.D5766.15**

## **ASTM, GRIPS, TENSILE, TENSION, POLYMER,**

### **ACCESSORIES**

ACC.T2018 - Set of (4), 2" wide flat grip faces for 0" to 0.2" specimens - Diamond  
ACC.T2118 - Set of (4), 2" wide flat grip faces for 0.2" to 0.4" specimens - Diamond  
ACC.T2218 - Set of (4), 2" wide flat grip faces for 0.4" to 0.6" specimens - Diamond  
ACC.T2318 - Set of (4), 2" wide flat grip faces for 0.6" to 0.8" specimens - Diamond  
ACC.TR2106 - Set of (4), 2" wide vee groove grip faces for 0.1" to 0.3" round - Serrated  
ACC.TR2206 - Set of (4), 2" wide vee groove grip faces for 0.2" to 0.4" round - Serrated  
ACC.TR2306 - Set of (4), 2" wide vee groove grip faces for 0.3" to 0.5" round - Serrated  
ACC.TR2406 - Set of (4), 2" wide vee groove grip faces for 0.4" to 0.6" round - Serrated  
ACC.TR2506 - Set of (4), 2" wide vee groove grip faces for 0.5" to 0.7" round - Serrated  
ACC.TR2606 - Set of (4), 2" wide vee groove grip faces for 0.6" to 0.8" round - Serrated  
SFF.D3039.1001 -Specimen Fabrication Fixture for tabbing specimens

### **SPARE PARTS**

Contact us for spare or replacement parts

### **REFERENCE DOCUMENT AND TEST METHOD SCOPE:**

<http://www.astm.org/Standards/D5766.htm>

ASTM D5766/D5766M-11

Standard Test Method for Open-Hole Tensile Strength of Polymer Matrix Composite Laminates

1.1 This test method determines the open-hole tensile strength of multidirectional polymer matrix composite laminates reinforced by high-modulus fibers. The composite material forms are limited to continuous-fiber or discontinuous-fiber (tape or fabric, or both) reinforced composites in which the laminate is balanced and symmetric with respect to the test direction. The range of acceptable test laminates and thicknesses are described in 8.2.1.

1.2 The values stated in either SI units or inch-pound units are to be regarded separately as standard. The values stated in each system may not be exact equivalents; therefore, each system shall be used independently of the other. Combining values from the two systems may result in non-conformance with the standard.

1.2.1 Within the text the inch-pound units are shown in brackets.

1.3 This standard does not purport to address all of the safety concerns, if any, associated with its use. It is the responsibility of the user of this standard to establish appropriate safety and health practices and determine the applicability of regulatory limitations prior to use.

Extracted, with permission, from ASTM D5766 Standard Test Method for Open-Hole Tensile Strength of Polymer Matrix Composite Laminates, copyright ASTM International, 100 Barr Harbor Drive, West Conshohocken, PA 19428. A copy of the complete standard may be purchased from ASTM International, [www.astm.org](http://www.astm.org).