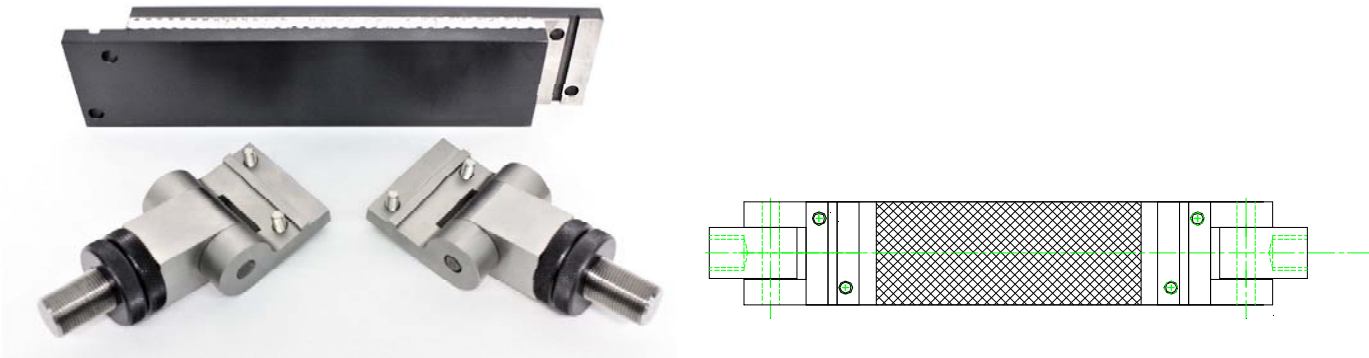


FLATWISE PLANE SHEAR FATIGUE FIXTURE (CS) WITH THREE SETS OF BONDING PLATES (AL) (TENSILE MODE)



Specimen:	Width	Any width up to 3"
	Thickness	0.25" to 0.75"
	Length	Up to 9"
Fixture:	Construction	High strength steel with aluminum bonding plates
	Temperature	-120 to 250°F (-85 to 122°C)
	Mounting	(2) 1"-14 threaded stud and locking nut
	Capacity	20,000 lbs (88.9 kN)
	Weight	32 lbs approximately
	Dimensions	Assembled 3" x 2.75" x 18.5"
	Bonding	Supplied with 3 sets of aluminum bonding plates
	Standard	Manufactured in accordance with ASTM C273 & C394

Model No. ASTM.C0394.12 - Sandwich Flatwise Plane Shear Fixture (Tensile Mode)

Specimen configuration up to 9" long, 3" wide and 3/4" thick. Constructed from high strength steel with protective black oxide finish except for the three sets of loading plates which are constructed from aluminum with a protective black anodized finish with one machined bonding surface. Supplied with (2) 1" -14 threaded stud and locking nut. Fixture is constructed in accordance with ASTM C394.

MODEL NO. ASTM.C0394.12

ASTM, EDGEWISE, TENSION, TENSILE, SHEAR,

ACCESSORIES

- ACC.C0394.1201 - Set of (2) Additional aluminum bonding plates 9" long by 3" wide
- ACC.C0394.1202 - Set of (2) Additional steel bonding plates 9" lby 3" wide
- ACC.C0394.1203 - Set of (2) Additional stainless steel bonding plates 9" long by 3" wide
- ACC.C0394.1204 - Set of (2) Customer specified material
- ACC.C0394.1205 - Optional dial indicator displacement gage

Upper and lower fixture attachment is supplied with 1" -14 male stud (Common adapter sizes include:)

- Model No. M03C36 - 1.25" Male Clevis (Type D) to 1" -14 Threaded Coupling
- Model No. S42C36 - 1.25" -12 Threaded Stud to 1" -14 Threaded Coupling
- Model No. S48C36 - 1.5" -12 Threaded Stud to 1" -14 Threaded Coupling
- Model No. S60C36 - 2" -12 Threaded Stud to 1" -14 Threaded Coupling
- Model No. LN36 - 1" -14 Threaded Locking Nut with Knurled OD

SPARE PARTS

Please contact us for spare or replacement parts

REFERENCE DOCUMENT AND TEST METHOD SCOPE:

SCOPE: <http://www.astm.org/Standards/C394.htm>

ASTM C394/C394M-13

Standard Test Method for Shear Fatigue of Sandwich Core Materials

1.1 This test method determines the effect of repeated shear forces on core material used in sandwich panels. Permissible core material forms include those with continuous bonding surfaces (such as balsa wood and foams) as well as those with discontinuous bonding surfaces (such as honeycomb).

1.2 This test method is limited to test specimens subjected to constant amplitude uniaxial loading, where the machine is controlled so that the test specimen is subjected to repetitive constant amplitude force (stress) cycles. Either shear stress or applied force may be used as a constant amplitude fatigue variable.

1.3 The values stated in either SI units or inch-pound units are to be regarded separately as standard. The values stated in each system may not be exact equivalents; therefore, each system shall be used independently of the other. Combining values from the two systems may result in non-conformance with the standard. Within the text, the inch-pound units are shown in brackets.

1.4 This standard does not purport to address all of the safety concerns, if any, associated with its use. It is the responsibility of the user of this standard to establish appropriate safety and health practices and determine the applicability of regulatory limitations prior to use.

Extracted, with permission, from ASTM C394 Standard Test Method for Shear Fatigue of Sandwich Core Materials, copyright ASTM International, 100 Barr Harbor Drive, West Conshohocken, PA 19428. A copy of the complete standard may be purchased from ASTM International, www.astm.org