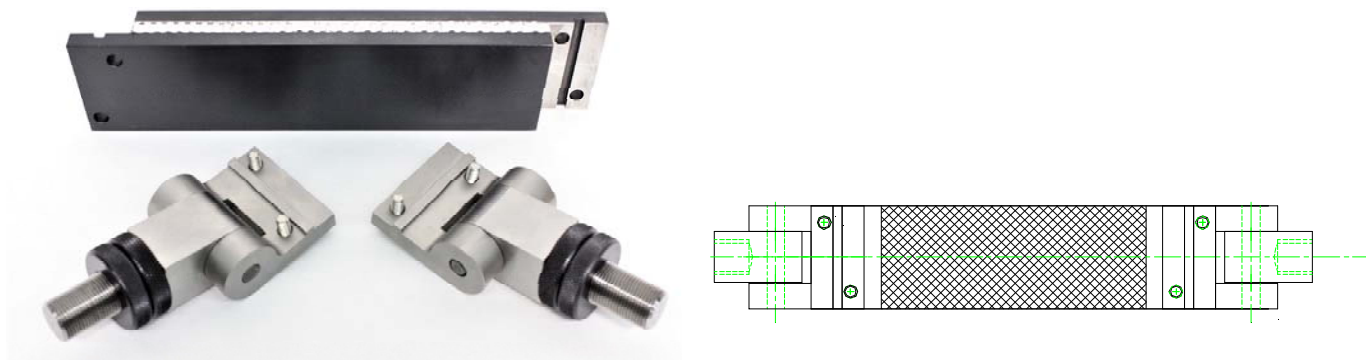


## FLATWISE PLANE SHEAR FIXTURE (CS) WITH THREE SETS OF BONDING PLATES (AL) (TENSILE MODE)



Specimen:	Width	Any width up to 3"
	Thickness	0.25" to 0.75"
	Length	Up to 9"
Fixture:	Construction	High strength steel with aluminum bonding plates
	Temperature	-20 to 120°F (-29 to 49°C)
	Mounting	1"-14 threaded studs and locking nuts
	Capacity	20,000 lbs (88.9 kN)
	Weight	32 lbs approximately
	Dimensions	Assembled 3" x 2.75" x 18.5"
	Bonding	Supplied with 3 sets of aluminum bonding plates
	Standard	Manufactured in accordance with ASTM C273

### Model No. ASTM.C0273.12 - Sandwich Flatwise Plane Shear Fixture (Tensile Mode)

Specimen configuration up to 9" long, 3" wide and 3/4" thick. Constructed from high strength steel with protective black oxide finish except for the three sets of loading plates which are constructed from aluminum with a protective black anodized finish with one machined bonding surface. Supplied with (2) 1" -14 threaded studs. Fixture is constructed in accordance with ASTM C273.

## **MODEL NO. ASTM.C0273.12**

### **ASTM, FLATWISE, SHEAR, TENSILE, ADHESIVE**

#### **ACCESSORIES**

- ACC.C0273.1201 - Set of (2) aluminum bonding plates 9" long by 3" wide
- ACC.C0273.1202 - Set of (2) Additional high strength steel bonding plates 9" lby 3" wide
- ACC.C0273.1203 - Set of (2) Additional stainless steel bonding plates 9" long by 3" wide
- ACC.C0273.1204 - Set of (2) Customer specified material
- ACC.C0273.1205 - Optional dial indicator displacement gage

#### **Upper and lower fixture attachment is supplied with 1" -14 male stud (Common adapter sizes include:)**

- Model No. M03C36 - 1.25" Male Clevis (Type D) to 1" -14 Threaded Coupling
- Model No. S42C36 - 1.25" -12 Threaded Stud to 1" -14 Threaded Coupling
- Model No. S48C36 - 1.5" -12 Threaded Stud to 1" -14 Threaded Coupling
- Model No. S60C36 - 2" -12 Threaded Stud to 1" -14 Threaded Coupling
- Model No. LN36 - 1" -14 Threaded Locking Nut with Knurled OD

#### **SPARE PARTS**

Contact us for spare or replacement parts

#### **REFERENCE DOCUMENT AND TEST METHOD SCOPE:**

<http://www.astm.org/Standards/C273.htm>

ASTM C273/C273M-11

Standard Test Method for Shear Properties of Sandwich Core Materials

1.1 This test method covers the determination of shear properties of sandwich construction core materials associated with shear distortion of planes parallel to the facings. It covers the determination of shear strength parallel to the plane of the sandwich, and the shear modulus associated with strains in a plane normal to the facings. The test may be conducted on core materials bonded directly to the loading plates or the sandwich facings bonded to the plates. Permissible core material forms include those with continuous bonding surfaces (such as balsa wood and foams) as well as those with discontinuous bonding surfaces (such as honeycomb).

1.2 The values stated in either SI units or inch-pound units are to be regarded separately as standard. Within the text the inch-pound units are shown in brackets. The values stated in each system are not exact equivalents; therefore, each system must be used independently of the other. Combining values from the two systems may result in nonconformance with the standard.

This standard does not purport to address all of the safety concerns, if any, associated with its use. It is the responsibility of the user of this standard to establish appropriate safety and health practices and determine the applicability of regulatory limitations prior to use.

Extracted, with permission, from ASTM C273 Standard Test Method for Shear Properties of Sandwich Core Materials, copyright ASTM International, 100 Barr Harbor Drive, West Conshohocken, PA 19428. A copy of the complete standard may be purchased from ASTM International, [www.astm.org](http://www.astm.org).